



*Uniquely designed couplings and adaptors to simplify polyethylene and PVC pipe connections - AQUAFast*

## AquaFast Couplings and Flange Adaptors

63mm to 315mm

*AquaFast – uniquely designed to  
simplify polyethylene and  
PVC pipe connections*

*A fraction of the effort to install compared to other  
systems - a fraction of the time required!*

### Easy to fit

- No special skills needed to fit AquaFast
- Minimum bolt tightening for faster installation
- Easy alignment of bolt holes
- No liner to install

### No complicated tools needed

- Visual indication that final assembly has been achieved
- A spanner is the only tool required

### Reliable performance

- Unparalleled long-term sealing performance

### All-weather installation

- No need for shelters, can be installed under wet conditions, even under water

### Ideal for on-the-spot repairs

- No need for fusion jointing equipment or solvent welding

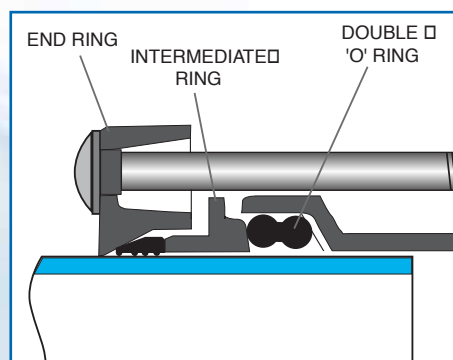
### Corrosion protection

- Flange adaptor body, centre sleeve and intermediate ring coated with thermoplastic polymer Rilsan Nylon 11
- Bolts and nuts Sheraplex coated to WIS 4-52-03

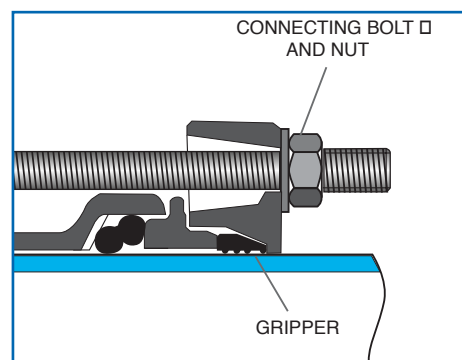
### Gaskets

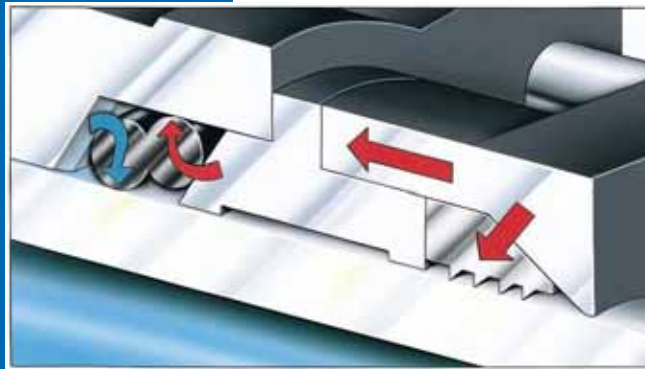
- EPDM suitable for potable water

before



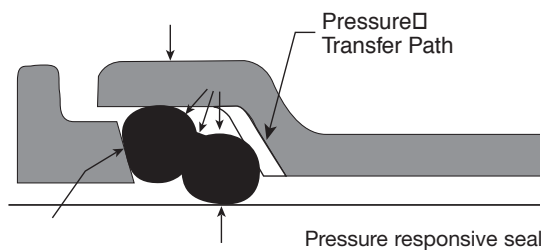
after





## A fraction of the effort, a fraction of the time!

- Fewer bolts to fasten - only two per coupling on sizes up to 125mm
- Greatly reduced installation times without special tools
- Positive stop during bolt tightening ensures optimum assembly every time
- No torque wrench required



### Unique pressure responsive sealing (patent pending)

- Unique gasket configuration and distinctive metal-component design features enable three-way pressure responsive sealing action
- High performance sealing even after pipe wall relaxation

### No liner

- Designed to work on PE80/PE100 polyethylene pipe SDR11, 17 and 17.6 without a support liner
- Ideal for small diameter pumped sewerage pipelines

### Dual function

- Can also be used to connect metric PVC pipe (ideal for PE/PVC transitional connections)

### Positive stop

- Metal to metal positive stop inhibits over tightening
- Removes the need for torque wrench
- Less skill needed to install

### Slip coupling

- No central obstruction
- Can be used as a true repair fitting
- No need to dismantle before use
- Simply slip into place and tighten

### No pipe end preparation

- Unnecessary to chamfer pipe ends before installation

### Resists pullout

- Designed to meet the performance requirements of WIS 4-24-01 Type 2 and ISO 14236.2

*No torque wrench needed, requires less skill  
and significantly less time and effort to install!*



ISO 9001



ISO 14001

Tel: +44 (0)1462 443322  
Fax: +44 (0)1462 443311  
email: [info@vikingjohnson.com](mailto:info@vikingjohnson.com)  
[www.vikingjohnson.com](http://www.vikingjohnson.com)

46-48 Wilbury Way  
Hitchin Hertfordshire  
SG4 0UD  
United Kingdom



**VIKING JOHNSON**

*World leaders in pipe joints and repair products*

**CRANE**

A Crane Co. Compa

For further information on all Viking Johnson products and services contact our Marketing Department.